

Special Features

- Universal Input Voltage range
- AC inlet: plug-in type (European/UL/CCC/SAA/UK)
- High Efficiency and Reliability
- Small size and low profile
- High power density
- Low lose in empty load
- Low output ripple
- MTBF demonstrated: >30,000 hours



AC Plug Interchangeable



Electrical Specs

Input

- Input voltage ○ 90~264 VAC
- Frequency ○ 47-63 Hz
- Input Current ○ 0.3A @Vin90Vac full load
- Inrush Current ○ $\leq 30A$ @Vin240Vac, Cold start
- Efficiency ○ 70% min
- Leakage Current ○ <3.5mA @ 50/60 Hz

Output

- Maximum power ○ 7.2W max
- Hold Up Time ○ ≥ 20 msec 240Vac input voltage
- Over shoot ○ $\leq 10\%$ of normal voltage value.
- OCP ○ $\leq 150\%$ @ normal input voltage.
- SCP ○ short circuited protection and with auto- recovery function.

Environment

- Operating temperature : 0° to 40°C
- Storage temperature : -20°C to +80°C
- Operating Humidity : 20% to 80% RH.
- Storage Humidity : 5% to 95% RH

Vibration:
Three orthogonal axes, sweep at 1 oct/min,
5 min. dwell at four

major resonances 0.75G peak 5Hz to
500Hz, operational.

Contact Information

WEBSITE: WWW.PHIPOL.COM
SALES E-MAIL: Sales.phipol@gmail.com
info@phipol.com

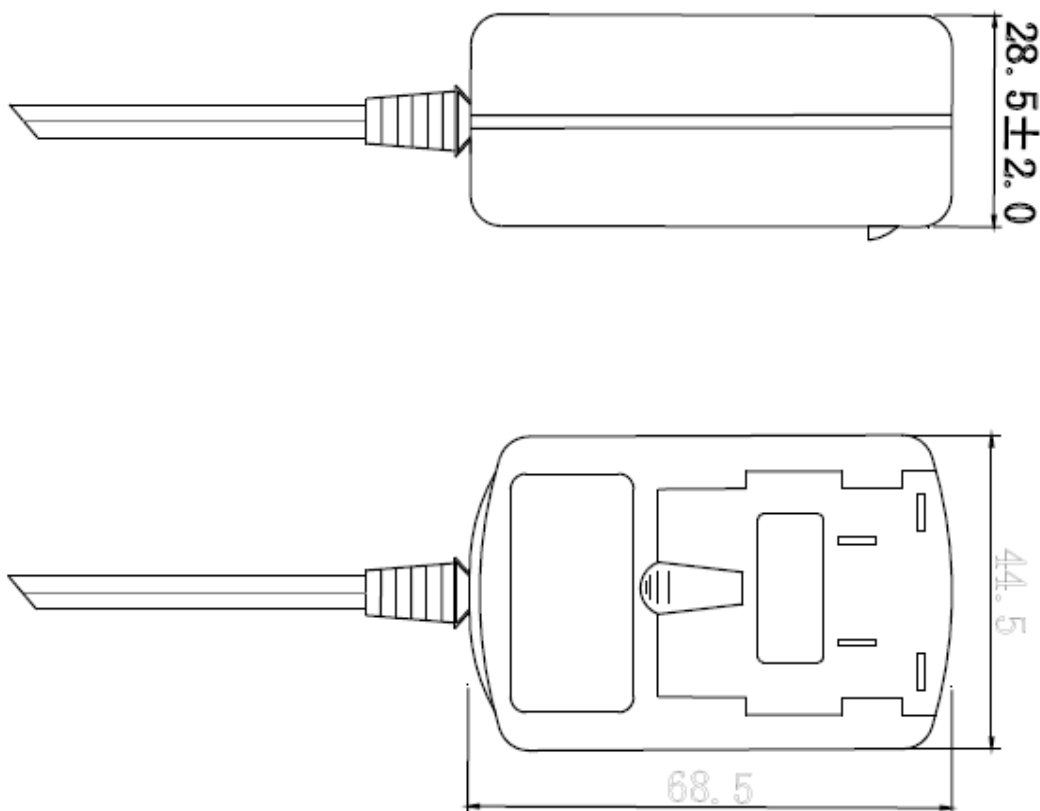
Safety

- TUV UL CUL CB CE LPS FCC VCCI
- EMC standard: EN55022 and FCC part 15 (class B)

Ordering Information

Part Number	Input Volts	Output Volts	Road	Max Power	Regulation	Ripple P/P (PARD)
FMDa-b08030-YYYY	100~240 Vac	3V	0.1-1.5A	4.5W	± 5%	100mV
FMDa-b08033-YYYY	100~240 Vac	3.3V	0.1-1.3A	4.3W	± 5%	100mV
FMDa-b08042-YYYY	100~240 Vac	4.2V	0.1-1.3A	5.5W	± 5%	100mV
FMDa-b08045-YYYY	100~240 Vac	4.5V	0.1-1.3A	5.85W	± 5%	120mV
FMDa-b08050-YYYY	100~240 Vac	5V	0.1-1.3A	6.5W	± 5%	120mV
FMDa-b08060-YYYY	100~240 Vac	6V	0.1-1.2A	7.2W	± 5%	150mV
FMDa-b08075-YYYY	100~240 Vac	7.5V	0.1-0.96A	7.2W	± 5%	150mV
FMDa-b08090-YYYY	100~240 Vac	9V	0.5-0.8A	7.2W	± 5%	150mV
FMDa-b08120-YYYY	100~240 Vac	12V	0.5-0.6A	7.2W	± 5%	200mV
FMDa-b08180-YYYY	100~240 Vac	18V	0.4A	7.2W	± 5%	200mV

Mechanical Drawing



Notes:

1. Dimensions shown in mm as left.
2. Size: 68.5x 44.5x 28.5mm (+/-1.0mm)
3. Input / Output cable: Of your choice.



Concentric Barrel Plug

A (OD)	B (ID)	C (L)
6.5	3.0	8~14
5.5	2.5	8~14
5.5	2.1	8~14
5.0	2.5	8~14
5.0	2.1	8~14
3.8	1.35	8~14
3.8	1.05	8~14
3.5	1.35	7~14

