

Special Features

- Universal Input Voltage range
- High Efficiency and Reliability
- Small size and low profile
- High power density
- Low lose in empty load
- Low output ripple
- MTBF demonstrated: >50,000 hours



Electrical Specs

Input

- Input voltage 90~264 VAC
- Frequency 47-63 Hz
- Input Current 0.5A @Vin100Vac full load
- Inrush Current 40A @Vin110Vac, Cold start at 25°C
- Efficiency 80% min
- Leakage Current <0.25mA @ 50/60 Hz.

Output

- Maximum power 17W max
- Hold Up Time ≥10 msec 240Vac input voltage
- SCP short circuited protection and with auto- recovery function
- OCP range <1.5A max with auto-recovery function

Environment

- Operating temperature : 0° to 40°C
- Storage temperature : -20°C to +70°C
- Operating Humidity : 20% to 80% RH.
- Storage Humidity : 5% to 95% RH
- Vibration:
Three orthogonal axes, sweep at 1 oct/min,
5 min. dwell at four
major resonances 0.75G peak 5Hz to
500Hz, operational.

Safety

- Meet EN61347
- EMC standard: EN55022 and FCC part 15 (class B)

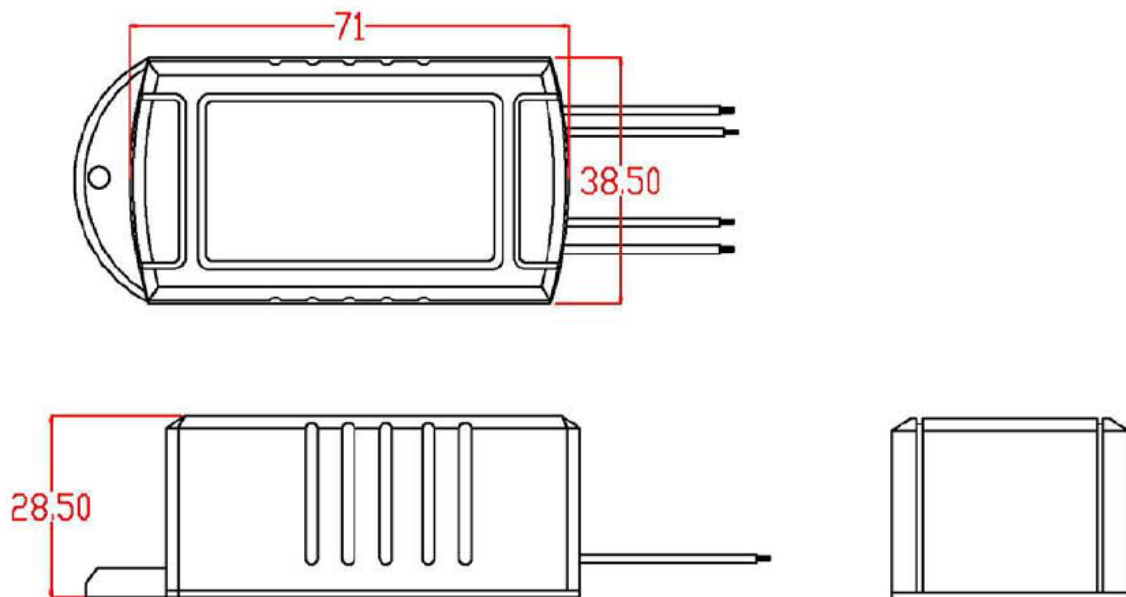
Contact Information

WEBSITE: WWW.PHIPOL.COM
SALES E-MAIL: Sales.phipol@gmail.com
info@hipol.com

Ordering Information

Part Number	Input Volts	Output Volts	Road	Max Power	Regulation	Ripple P/P (PARD)
PP17LC240350	90~264 Vac	12-24Vdc	350mA	8.4W	± 5%	240mV
PP17LC240450	90~264 Vac	12-24Vdc	450mA	10.8W	± 5%	240mV
PP17LC240600	90~264 Vac	12-24Vdc	600mA	14.4W	± 5%	240mV
PP17LC360250	90~264 Vac	24-36Vdc	250mA	9W	± 5%	360mV
PP17LC360300	90~264 Vac	24-36Vdc	300mA	10.8W	± 5%	360mV
PP17LC360350	90~264 Vac	24-36Vdc	350mA	12.6W	± 5%	360mV
PP17LC360400	90~264 Vac	24-36Vdc	400mA	14.4W	± 5%	360mV
PP17LC500250	90~264 Vac	40-50Vdc	250mA	12.5W	± 5%	360mV
PP17LC500300	90~264 Vac	40-50Vdc	300mA	15W	± 5%	360mV

Mechanical Drawing



Notes:

1. Dimensions shown in mm as left.
2. Size: 71 x 38.5 x 28.5mm (+/-1.0mm)
3. Input / Output cable: Of your choise.