

## Special Features

- Universal Input Voltage range
- High Efficiency and Reliability
- Small size and low profile
- High power density
- Low lose in empty load
- Low output ripple
- MTBF demonstrated: >50,000 hours



## Electrical Specs

### Input

- Input voltage  90~264 VAC
- Frequency  47-63 Hz
- Input Current  0.5A @Vin100Vac full load
- Inrush Current  40A @Vin110Vac, Cold start at 25°C
- Efficiency  80% min
- Leakage Current  <0.25mA @ 50/60 Hz.

### Output

- Maximum power  17W max
- Hold Up Time  ≥10 msec 240Vac input voltage
- SCP  short circuited protection and with auto- recovery function
- OCP  range <1.5A max with auto-recovery function

## Environment

- Operating temperature : 0° to 40°C
- Storage temperature : -20°C to +70°C
- Operating Humidity : 20% to 80% RH.
- Storage Humidity : 5% to 95% RH

Vibration:  
Three orthogonal axes, sweep at 1 oct/min,  
5 min. dwell at four

major resonances 0.75G peak 5Hz to  
500Hz, operational.

## Safety

- Meet EN61347
- EMC standard: EN55022 and FCC part 15 (class B)

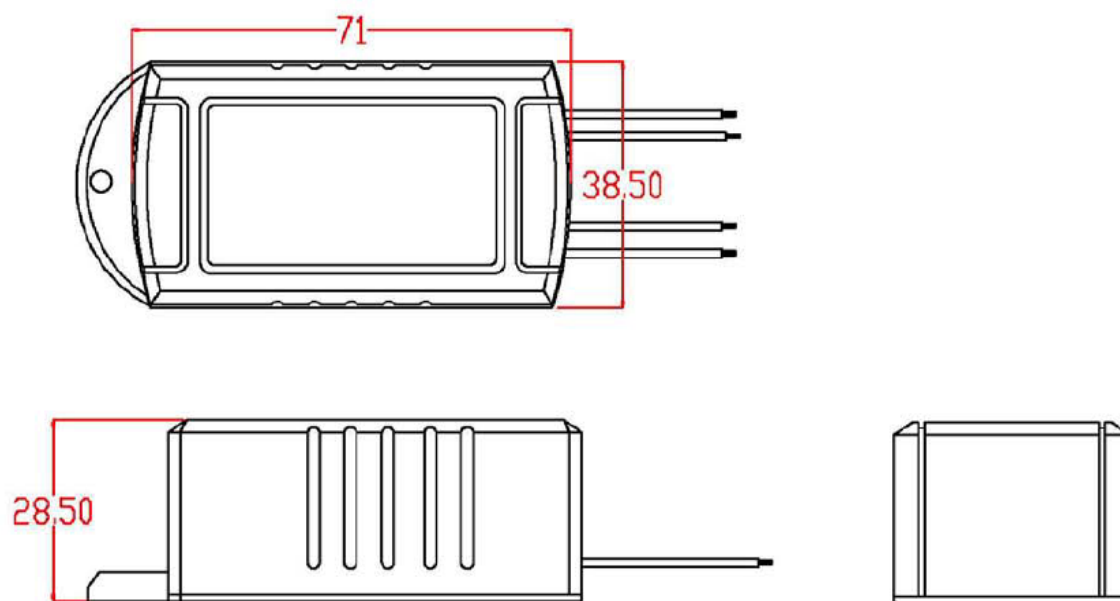
## Contact Information

WEBSITE: WWW.PHIPOL.COM  
SALES E-MAIL: Sales.phipol@gmail.com  
info@hipol.com

## Ordering Information

Part Number	Input Volts	Output Volts	Road	Max Power	Regulation	Ripple P/P (PARD)
PP17LC240350	90~264 Vac	12-24Vdc	350mA	8.4W	± 5%	240mV
PP17LC240450	90~264 Vac	12-24Vdc	450mA	10.8W	± 5%	240mV
PP17LC240600	90~264 Vac	12-24Vdc	600mA	14.4W	± 5%	240mV
PP17LC360250	90~264 Vac	24-36Vdc	250mA	9W	± 5%	360mV
PP17LC360300	90~264 Vac	24-36Vdc	300mA	10.8W	± 5%	360mV
PP17LC360350	90~264 Vac	24-36Vdc	350mA	12.6W	± 5%	360mV
PP17LC360400	90~264 Vac	24-36Vdc	400mA	14.4W	± 5%	360mV
PP17LC500250	90~264 Vac	40-50Vdc	250mA	12.5W	± 5%	360mV
PP17LC500300	90~264 Vac	40-50Vdc	300mA	15W	± 5%	360mV

## Mechanical Drawing



**Notes:**

1. Dimensions shown in mm as left.
2. Size: 60 x 25 x 24mm (+/-1.0mm)
3. Input / Output cable: Of your choice.