

## Special Features

- Used CR2032 Battery.
- Small Size.
- Voltage: 3V / 6V / 9V

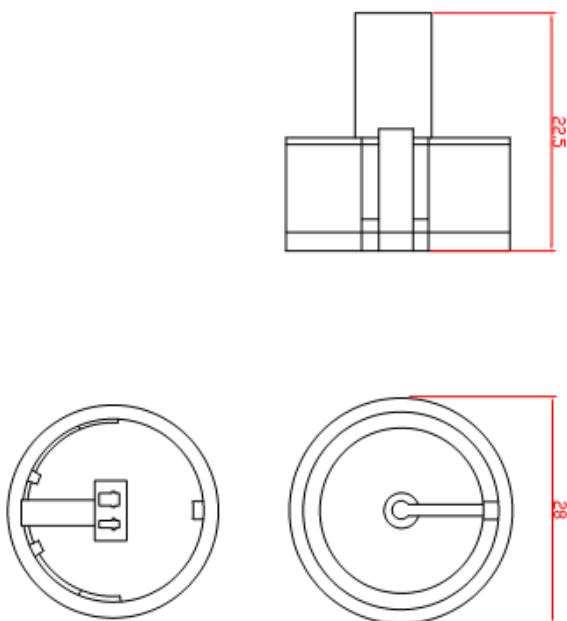
RoHS



## Products Show



## Mechanical Drawing



Notes:

1. Dimensions shown in mm as left.
2. Size: D28 x H22.5 (+/-1.0mm)
3. DC Socket:01

## Environment

Operating temperature : 0° to 40°C

Storage temperature : -20°C to +80°C

Operating Humidity : 20% to 80% RH.

Storage Humidity : 5% to 95% RH

Vibration:

Three orthogonal axes, sweep at 1 oct/min,  
5 min. dwell at four

major resonances 0.75G peak 5Hz to  
500Hz, operational.

## Contact Information

WEBSITE: [WWW.PHIPOL.COM](http://WWW.PHIPOL.COM)

SALES E-MAIL: [Sales.phipol@gmail.com](mailto:Sales.phipol@gmail.com)

[info@hipol.com](mailto:info@hipol.com)