

Special Features

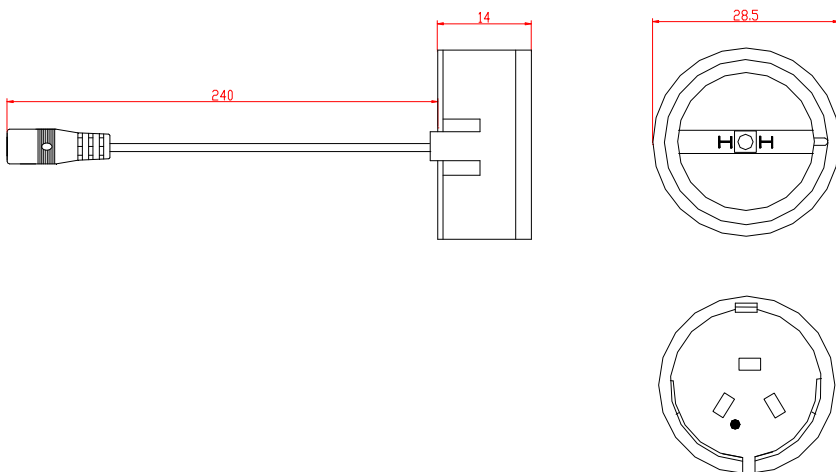
- Used CR2032 Battery.
- Small Size.
- Voltage: 3V / 6V / 9V



Products Show



Mechanical Drawing



Notes:

1. Dimensions shown in mm as left.
2. Size: D28.5 x H14(+/-1.0mm)
3. DC cable: Of your choice.

Environment

Operating temperature : 0° to 40°C

Storage temperature : -20°C to +80°C

Operating Humidity : 20% to 80% RH.

Storage Humidity : 5% to 95% RH

Vibration:

Three orthogonal axes, sweep at 1 oct/min,
5 min. dwell at four

major resonances 0.75G peak 5Hz to
500Hz, operational.

Contact Information

WEBSITE: WWW.PHIPOL.COM

SALES E-MAIL: Sales.phipol@gmail.com
info@hipol.com