

## Special Features

- Universal Input Voltage range
- High Efficiency and Reliability
- Small size and low profile
- High power density
- Low lose in empty load
- Outdoor Used
- MTBF demonstrated: >35,000 hours



## Electrical Specs

### Input

- Input voltage  100~240 VAC
- Frequency  47-63 Hz
- Input Current  0.5A @Vin100Vac full load
- Inrush Current  20A @Vin110Vac, Cold start at 25°C
- Efficiency  70% min
- Leakage Current  <0.25mA @ 50/60 Hz.

### Output

- Maximum power  13W max
- Hold Up Time   $\geq 10$  msec 240Vac input voltage
- SCP  short circuited protection and with auto- recovery function
- OCP  <150% max with auto-recovery function

## Environment

Operating temperature : 0° to 40°C

Storage temperature : -20°C to +70°C

Operating Humidity : 20% to 80% RH.

Storage Humidity : 5% to 95% RH

Vibration:

Three orthogonal axes, sweep at 1 oct/min,  
5 min. dwell at four

major resonances 0.75G peak 5Hz to  
500Hz, operational.

## Contact Information

WEBSITE: WWW.PHIPOL.COM

SALES E-MAIL: Sales.phipol@gmail.com  
info@phipol.com

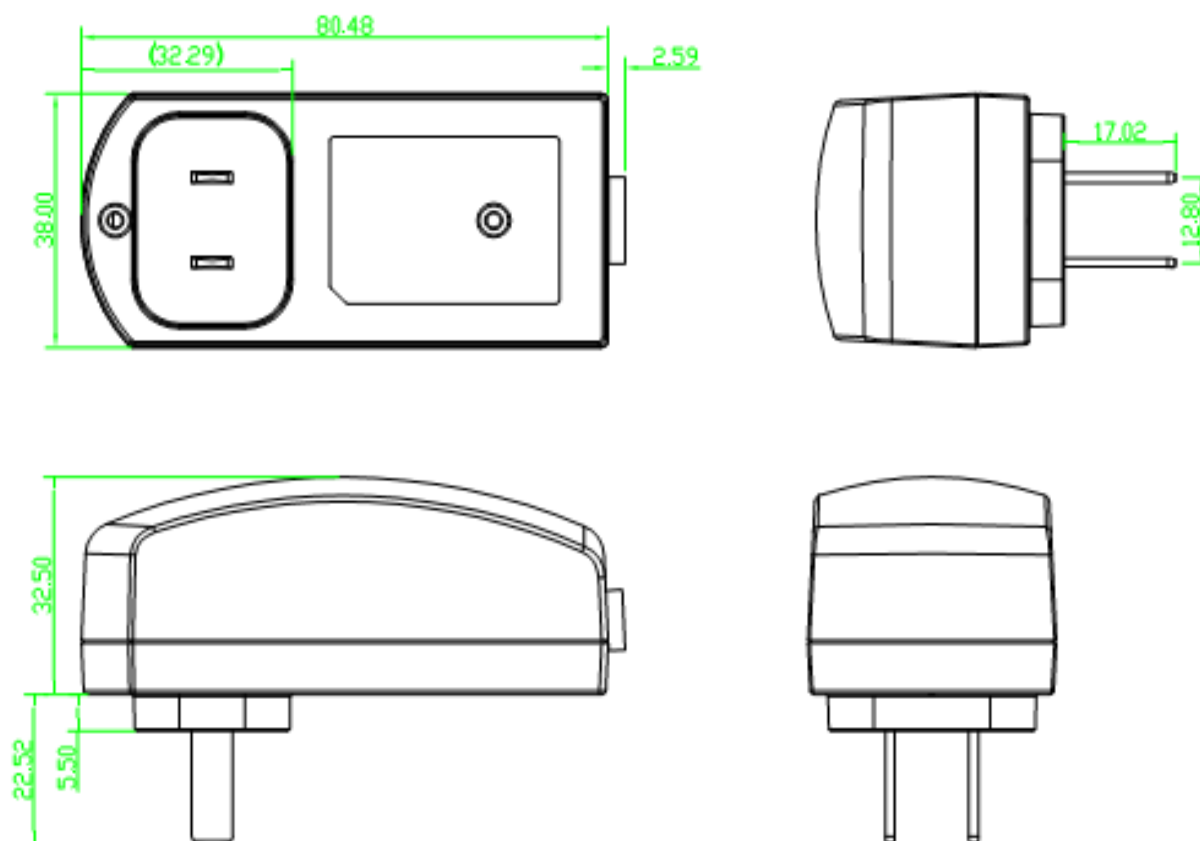
## Safety

- UL1310
- CE
- EMC standard: EN55022 and FCC part 15 (class B)

## Ordering Information

Part Number	Input Volts	Output Volts	Road	Max Power	Regulation	Ripple P/P (PARD)
DWPADP030200U	100~240 Vac	3V	2000mA	6W	± 5%	50mV
DWPADP030300U	100~240 Vac	3V	3000mA	9W	± 5%	50mV
DWPADP050240U	100~240 Vac	5V	2000mA	12W	± 5%	50mV
DWPADP050240U	100~240 Vac	5V	2400mA	12W	± 5%	50mV
DWPADP060100U	100~240 Vac	6V	1000mA	6W	± 5%	50mV
DWPADP060150U	100~240 Vac	6V	1500mA	9W	± 5%	50mV
DWPADP060200U	100~240 Vac	6V	2000mA	12W	± 5%	50mV
DWPADP090120U	100~240 Vac	9V	1200mA	10.8W	± 5%	100mV
DWPADP090133U	100~240 Vac	9V	1330mA	12W	± 5%	100mV
DWPADP120100U	100~240 Vac	12V	1000mA	12W	± 5%	120mV
DWPADP150080U	100~240 Vac	15V	800mA	12W	± 5%	150mV
DWPADP160075U	100~240 Vac	16V	750mA	12W	± 5%	150mV
DWPADP180067U	100~240 Vac	18V	670mA	12W	± 5%	180mV
DWPADP200060U	100~240 Vac	20V	600mA	12W	± 5%	240mV
DWPADP240050U	100~240 Vac	24V	500mA	12W	± 5%	240mV

## Mechanical Drawing



**Notes:**

1. Dimensions shown in mm as left.
2. Size: 80.5 x 38 x 32.5mm (+/-1.0mm)
3. Output connector: 01DCJACK.