

## Special Features

- Universal Input Voltage range
- High Efficiency and Reliability
- Small size and low profile
- AC inlet: plug-in type (UL)
- High power density
- Low lose in empty load
- MTBF demonstrated: >30,000 hours
- Outdoor Used

RoHS



## Electrical Specs

### Input

- Input voltage  90~264 VAC
- Frequency  47-63 Hz
- Input Current  0.5A @Vin90Vac full load
- Inrush Current  ≤20A @Vin240Vac, Cold start
- Efficiency  60% min
- Leakage Current  <0.35mA @ 50/60 Hz.

### Output

- Maximum power  3W max
- Hold Up Time  ≥10 msec 240Vac input voltage
- SCP  short circuited protection and with auto- recovery function

## Environment

Operating temperature : 0° to 40°C

Storage temperature : -20°C to +80°C

Operating Humidity : 20% to 80% RH.

Storage Humidity : 5% to 95% RH

Vibration:

Three orthogonal axes, sweep at 1 oct/min,  
5 min. dwell at four

major resonances 0.75G peak 5Hz to  
500Hz, operational.

## Contact Information

WEBSITE: WWW.PHIPOL.COM

SALES E-MAIL: Sales.phipol@gmail.com  
info@phipol.com

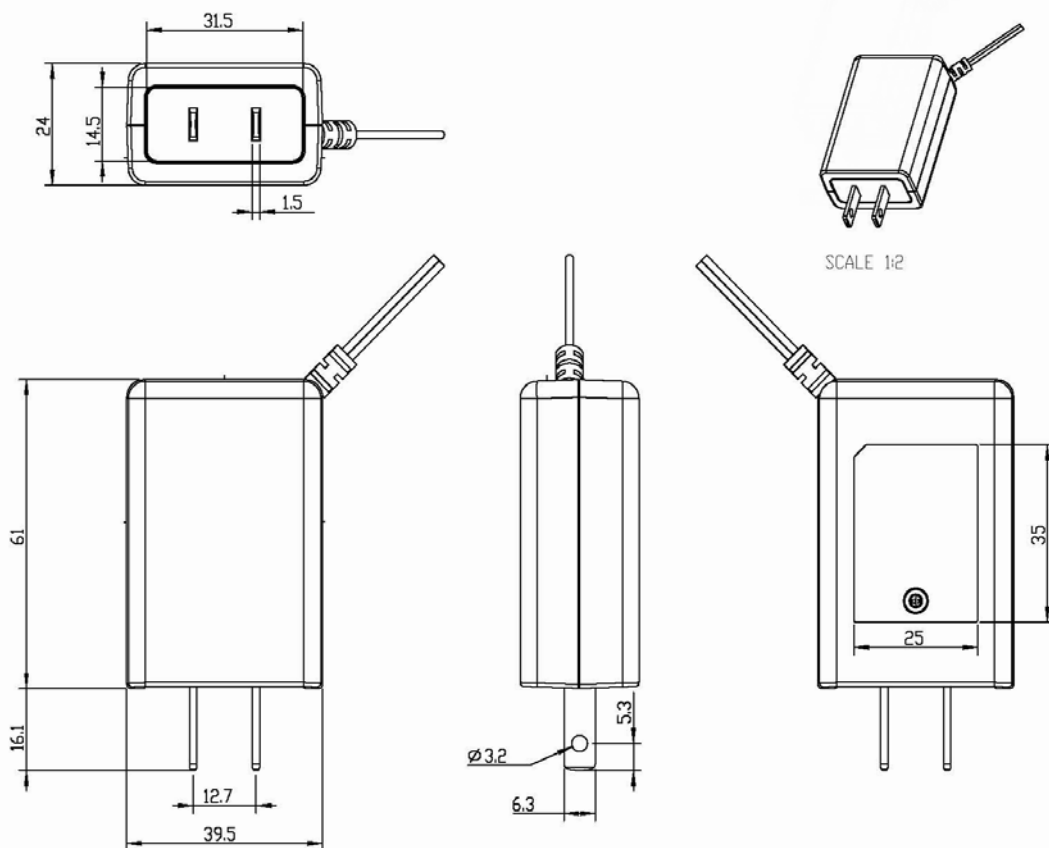
## Safety

- UL/CUL (UL1310)

## Ordering Information

Part Number	Input Volts	Output Volts	Road	Power	Regulation	Ripple P/P (PARD)
DWPADP3V/1A	120 Vac	3V	1A	3W	± 5%	50mV
DWPADP5V06A	120 Vac	5V	600mA	3W	± 5%	50mV
DWPADP6V05A	120 Vac	6V	500mA	3W	± 5%	100mV
DWPADP9V33A	120 Vac	9V	330mA	3W	± 5%	120mV
DWPADP12V025A	120 Vac	12V	250mA	3W	± 5%	150mV

## Mechanical Drawing



**Notes:**

1. Dimensions shown in mm as left.
2. Size: 61 x 39.5x 24mm (+/-1.0mm)
3. DC cable: Of your choise.

Concentric Barrel Plug		
A (OD)	B (ID)	C (L)
6.5	3.0	8~14
5.5	2.5	8~14
5.5	2.1	8~14
5.0	2.5	8~14
5.0	2.1	8~14
3.8	1.35	8~14
3.8	1.05	8~14
3.5	1.35	7~14