

Special Features

- Universal Input Voltage range
- High Efficiency and Reliability
- Small size and low profile
- High power density
- Low lose in empty load
- Low output ripple
- MTBF demonstrated: >35,000 hours



Electrical Specs

Input

- Input voltage 90~264 VAC
- Frequency 47-63 Hz
- Input Current 0.5A @Vin90Vac full load
- Inrush Current ≤30A @Vin240Vac, Cold start
- Efficiency 80% min
- Leakage Current <3.5mA @ 50/60 Hz

Output

- Maximum power 24W max
- Hold Up Time ≥20 msec 240Vac input voltage
- Over shoot ≤10% of normal voltage value.
- OCP ≤ 150% @ normal input voltage.
- SCP short circuited protection and with auto- recovery function.

Environment

Operating temperature : 0° to40°C

Storage temperature : -20°C to +80°C

Operating Humidity : 20% to 80% RH.

Storage Humidity : 5% to 95% RH

Vibration:

Three orthogonal axes, sweep at 1 oct/min, 5 min. dwell at four

major resonances 0.75G peak 5Hz to 500Hz, operational.

Contact Information

WEBSITE: WWW.PHIPOL.COM

SALES E-MAIL: Sales.phipol@gmail.com
info@phipol.com

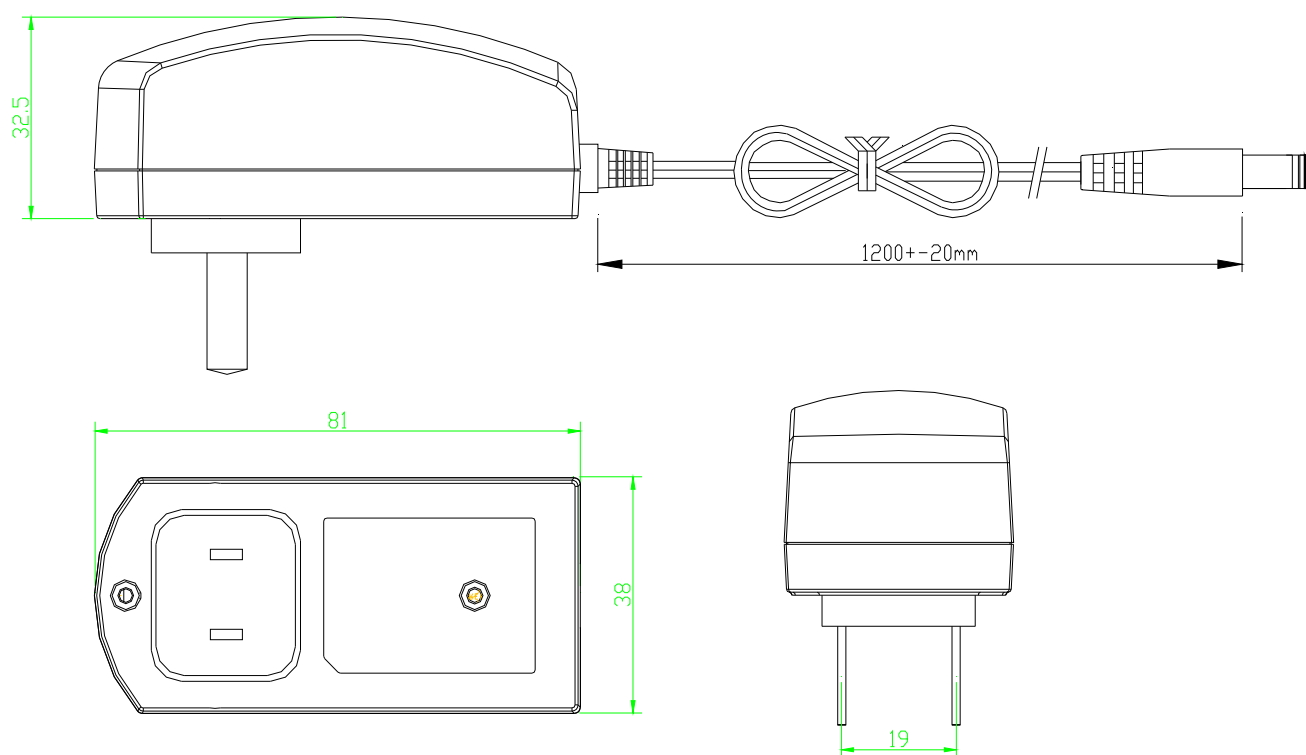
Safety

-
- EMC standard: EN55022 and FCC part 15 (class B)

Ordering Information

Part Number	Input Volts	Output Volts	Road	Max Power	Regulation	Ripple P/P (PARD)
PP24W050300	90~264 Vac	5V	3A	15W	± 5%	50mV
PP24W120200	90~264 Vac	12V	2A	24W	± 5%	100mV
PP24W240100	90~264 Vac	24V	1A	24W	± 5%	200mV
PP24Wxxxxyy	90~264 Vac	5-24V	0-3A	24W	± 5%	50-200mV

Mechanical Drawing



Notes:

1. Dimensions shown in mm as left.
2. Size: 81x 38x 32.5mm (+/-1.0mm)
3. Input / Output cable: Of your choice.

