

Special Features

- Universal Input Voltage range
- High Efficiency and Reliability
- Small size and low profile
- AC inlet: plug-in type (UL)
- High power density
- Low lose in empty load
- Low output ripple
- MTBF demonstrated: >30,000 hours

RoHS



Electrical Specs

Input

- Input voltage 90~264 VAC
- Frequency 47-63 Hz
- Input Current 0.5A @Vin90Vac full load
- Inrush Current ≤20A @Vin240Vac, Cold start
- Efficiency 60% min
- Leakage Current <0.35mA @ 50/60 Hz.

Output

- Maximum power 3W max
- Hold Up Time ≥10 msec 240Vac input voltage
- SCP short circuited protection and with auto- recovery function

Environment

Operating temperature : 0° to 40°C

Storage temperature : -20°C to +80°C

Operating Humidity : 20% to 80% RH.

Storage Humidity : 5% to 95% RH

Vibration:

Three orthogonal axes, sweep at 1 oct/min, 5 min. dwell at four

major resonances 0.75G peak 5Hz to 500Hz, operational.

Contact Information

WEBSITE: WWW.PHIPOL.COM

SALES E-MAIL: Sales.phipol@gmail.com
info@phipol.com

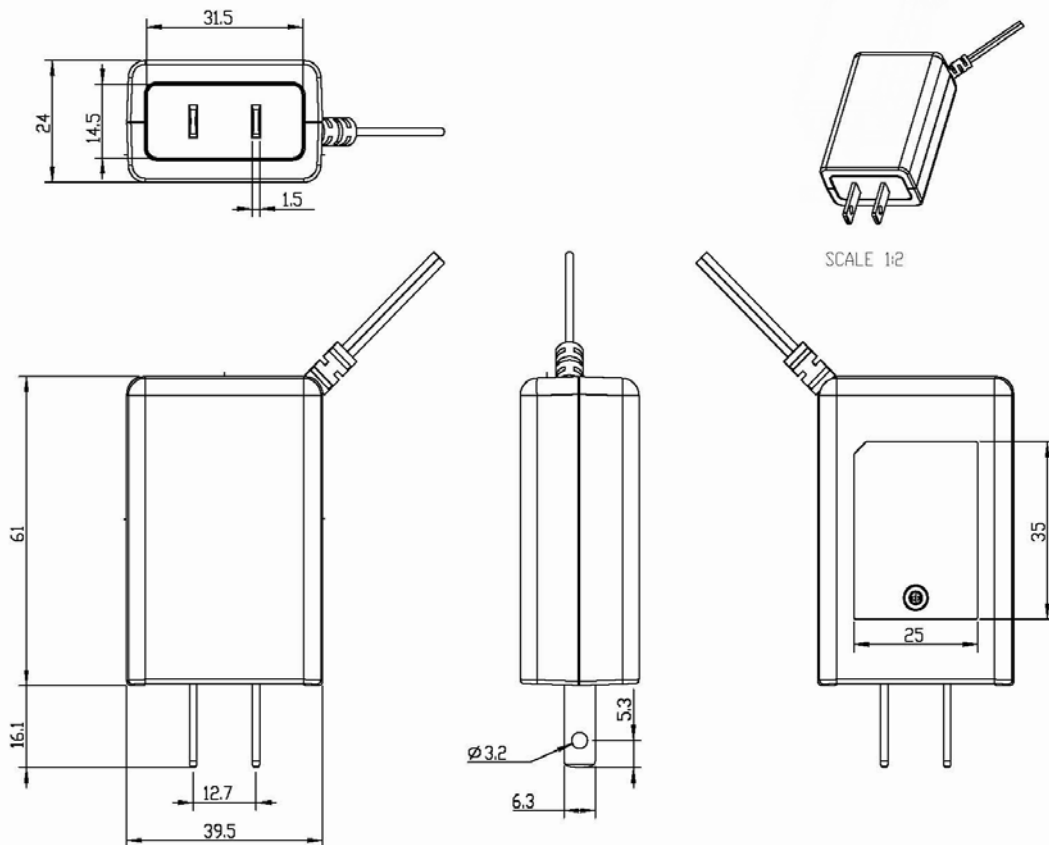
Safety

- UL/CUL (UL1310)

Ordering Information

Part Number	Input Volts	Output Volts	Road	Power	Regulation	Ripple P/P (PARD)
DWPADP3V/1A	120 Vac	3V	1A	3W	± 5%	50mV
DWPADP5V06A	120 Vac	5V	600mA	3W	± 5%	50mV
DWPADP6V05A	120 Vac	6V	500mA	3W	± 5%	100mV
DWPADP9V33A	120 Vac	9V	330mA	3W	± 5%	120mV
DWPADP12V025A	120 Vac	12V	250mA	3W	± 5%	150mV

Mechanical Drawing



Notes:

1. Dimensions shown in mm as left.
2. Size: 61 x 39.5x 24mm (+/-1.0mm)
3. DC cable: Of your choise.

Concentric Barrel Plug

A (OD)	B (ID)	C (L)
6.5	3.0	8~14
5.5	2.5	8~14
5.5	2.1	8~14
5.0	2.5	8~14
5.0	2.1	8~14
3.8	1.35	8~14
3.8	1.05	8~14
3.5	1.35	7~14

