

## Special Features

- Universal Input Voltage range
- High Efficiency and Reliability
- Small size and low profile
- High power density
- Low lose in empty load
- Low output ripple
- MTBF demonstrated: >50,000 hours



## Electrical Specs

### Input

- Input voltage  100~240 VAC
- Frequency  47-63 Hz
- Input Current  0.5A @Vin100Vac full load
- Inrush Current  20A @Vin110Vac, Cold start at 25°C
- Efficiency  70% min
- Leakage Current  <0.25mA @ 50/60 Hz.

### Output

- Maximum power  13W max
- Hold Up Time   $\geq 10$  msec 240Vac input voltage
- SCP  short circuited protection and with auto- recovery function
- OCP  <150% max with auto-recovery function

## Environment

- Operating temperature : 0° to 40°C
- Storage temperature : -20°C to +70°C
- Operating Humidity : 20% to 80% RH.
- Storage Humidity : 5% to 95% RH

Vibration:  
Three orthogonal axes, sweep at 1 oct/min,  
5 min. dwell at four

major resonances 0.75G peak 5Hz to  
500Hz, operational.

## Contact Information

WEBSITE: WWW.PHIPOL.COM  
SALES E-MAIL: Sales.phipol@gmail.com  
info@phipol.com

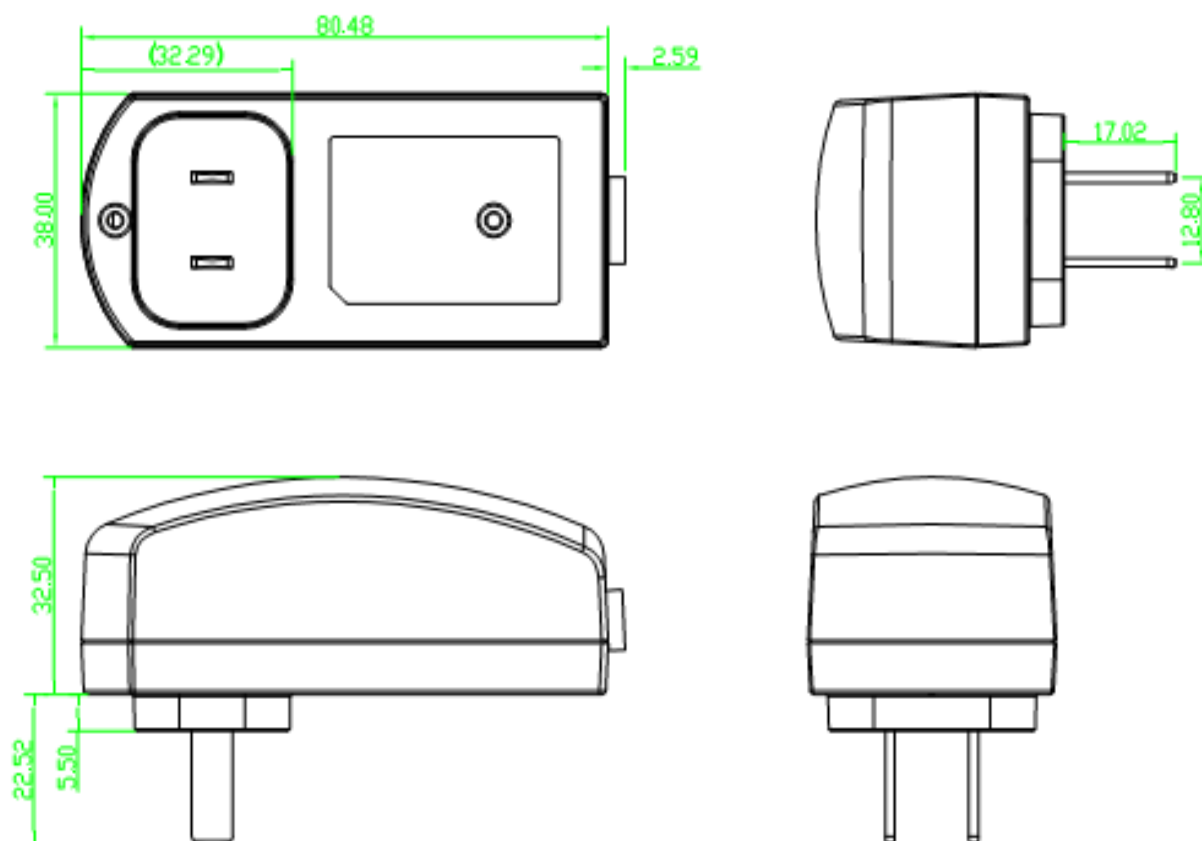
## Safety

- UL1310
- CE
- EMC standard: EN55022 and FCC part 15 (class B)

## Ordering Information

| Part Number   | Input Volts | Output Volts | Road   | Max Power | Regulation | Ripple P/P (PARD) |
|---------------|-------------|--------------|--------|-----------|------------|-------------------|
| DWPADP030200U | 100~240 Vac | 3V           | 2000mA | 6W        | ± 5%       | 50mV              |
| DWPADP030300U | 100~240 Vac | 3V           | 3000mA | 9W        | ± 5%       | 50mV              |
| DWPADP050240U | 100~240 Vac | 5V           | 2000mA | 12W       | ± 5%       | 50mV              |
| DWPADP050240U | 100~240 Vac | 5V           | 2400mA | 12W       | ± 5%       | 50mV              |
| DWPADP060100U | 100~240 Vac | 6V           | 1000mA | 6W        | ± 5%       | 50mV              |
| DWPADP060150U | 100~240 Vac | 6V           | 1500mA | 9W        | ± 5%       | 50mV              |
| DWPADP060200U | 100~240 Vac | 6V           | 2000mA | 12W       | ± 5%       | 50mV              |
| DWPADP090120U | 100~240 Vac | 9V           | 1200mA | 10.8W     | ± 5%       | 100mV             |
| DWPADP090133U | 100~240 Vac | 9V           | 1330mA | 12W       | ± 5%       | 100mV             |
| DWPADP120100U | 100~240 Vac | 12V          | 1000mA | 12W       | ± 5%       | 120mV             |
| DWPADP150080U | 100~240 Vac | 15V          | 800mA  | 12W       | ± 5%       | 150mV             |
| DWPADP160075U | 100~240 Vac | 16V          | 750mA  | 12W       | ± 5%       | 150mV             |
| DWPADP180067U | 100~240 Vac | 18V          | 670mA  | 12W       | ± 5%       | 180mV             |
| DWPADP200060U | 100~240 Vac | 20V          | 600mA  | 12W       | ± 5%       | 240mV             |
| DWPADP240050U | 100~240 Vac | 24V          | 500mA  | 12W       | ± 5%       | 240mV             |

## Mechanical Drawing



**Notes:**

1. Dimensions shown in mm as left.
2. Size: 80.5 x 38 x 32.5mm (+/-1.0mm)
3. Output connector: 01DCJACK.