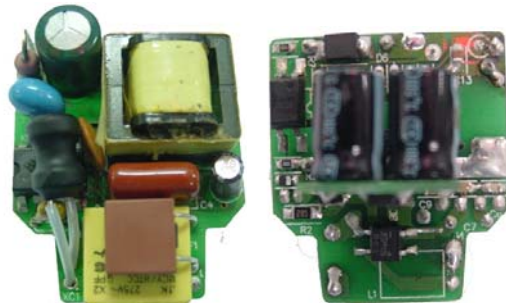


Special Features

- Universal Input Voltage range
- High Efficiency and Reliability
- Small size and low profile
- High power density
- Low lose in empty load
- Low output ripple
- MTBF demonstrated: >50,000 hours



RoHS



Electrical Specs

Input

- Input voltage 90~264 VAC
- Frequency 47-63 Hz
- Input Current 0.2A @Vin100Vac full load
- Inrush Current 60A @Vin240Vac, Cold start at 25°C
- Efficiency 65% min
- Leakage Current <0.25mA @ 50/60 Hz.

Output

- Maximum power 5W max
- Hold Up Time ≥ 10 msec 240Vac input voltage
- SCP short circuited protection and with auto- recovery function

Environment

- Operating temperature : 0° to 40°C
- Storage temperature : -20°C to +70°C
- Operating Humidity : 20% to 80% RH.
- Storage Humidity : 5% to 95% RH

Vibration:
Three orthogonal axes, sweep at 1 oct/min,
5 min. dwell at four

major resonances 0.75G peak 5Hz to
500Hz, operational.

Contact Information

WEBSITE: WWW.PHIPOL.COM
SALES E-MAIL: Sales.phipol@gmail.com
info@phipol.com

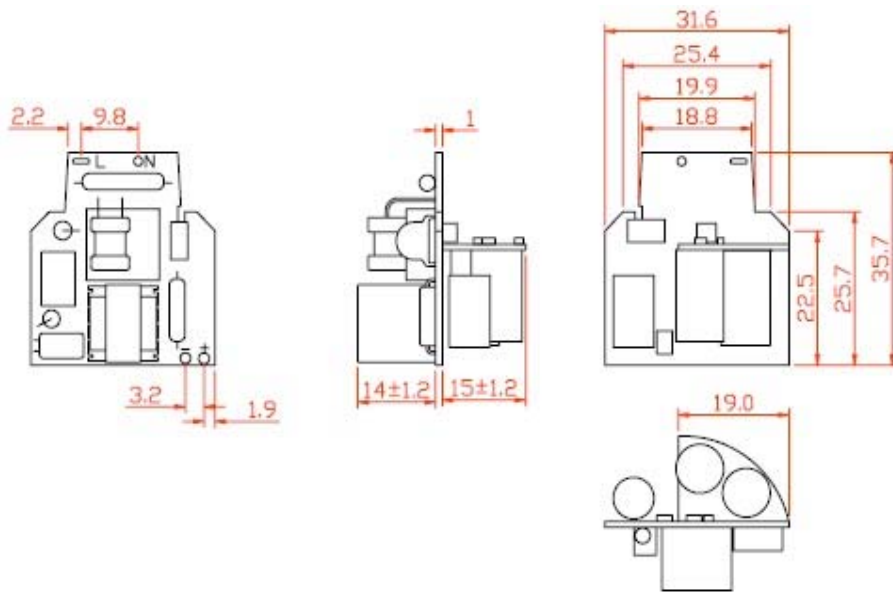
Safety

- Meet EN61347
- EMC standard: EN55022 and FCC part 15 (class B)

Ordering Information

Part Number	Input Volts	Output Volts	Road	Max Power	Regulation	Ripple P/P (PAR)
PP5LF	90~264 Vac	9~12Vdc	400mA	5W	± 5%	120mV
PP5LF120040	90~264 Vac	11.8~12.6Vdc	380~430mA	5W	± 5%	120mV

Mechanical Drawing



Notes:

1. Dimensions shown in mm as left.
2. Size: 31.6 x 35.7x 28mm (+/-1.0mm)
3. Input / Output cable: Of your choise.