

Special Features

- Universal Input Voltage range
- High Efficiency and Reliability
- Small size and low profile
- DC inlet: Standard Car Lighter plug
- High power density
- Low lose in empty load
- Low output ripple
- MTBF demonstrated: >50,000 hours



Electrical Specs

Input

- Input voltage 12~24 VDC
- Efficiency 70% min
- Input current Input cureent (RMS): 0.6A Max Vin 12VDC

Output

- Maximum power 5W max
- Over shoot $\leq 10\%$ of normal voltage value.
- Overload protection Over load protection and with auto- recovery function
- SCP short circuited protection and with auto- recovery function

Environment

Operating temperature : 0° to 40°C

Storage temperature : -20°C to +60°C

Operating Humidity : 20% to 80% RH.

Storage Humidity : 5% to 95% RH

Vibration:

Three orthogonal axes, sweep at 1 oct/min, 5 min. dwell at four

major resonances 0.75G peak 5Hz to 500Hz, operational.

Contact Information

WEBSITE: WWW.PHIPOL.COM

SALES E-MAIL: Sales.phipol@gmail.com
info@phipol.com

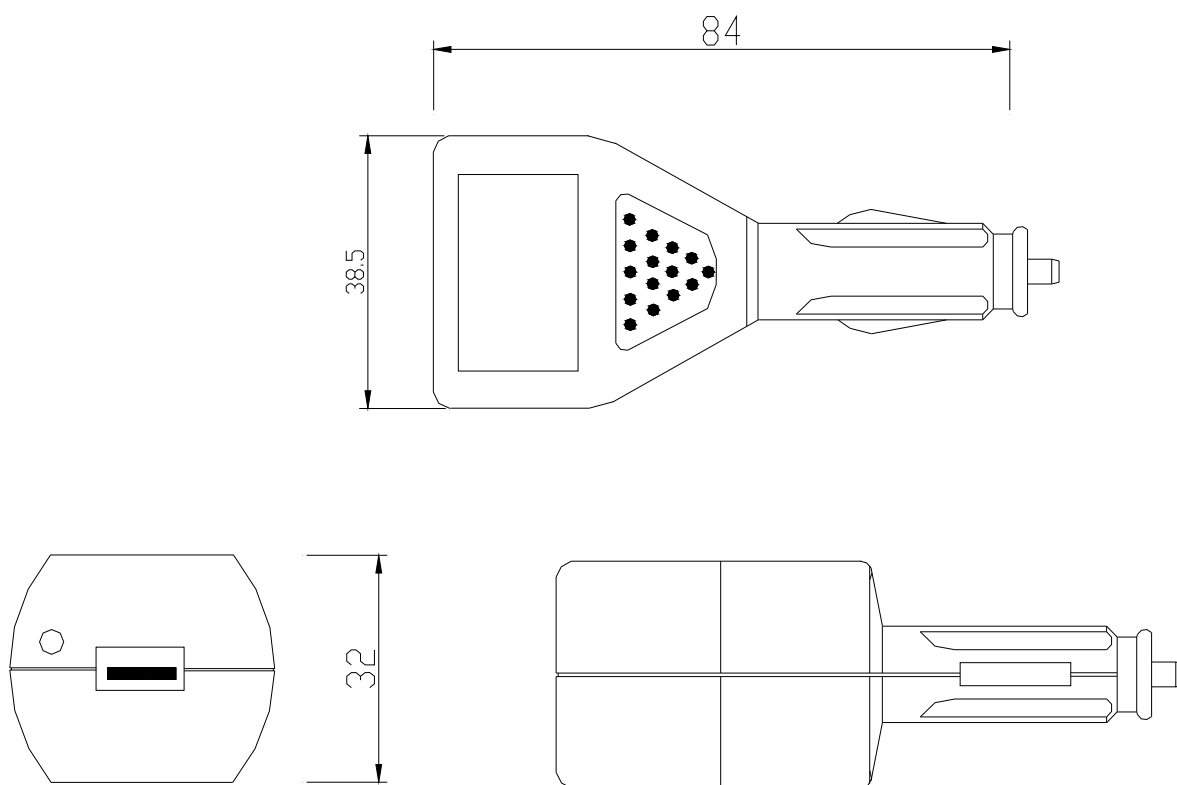
Safety

- CE Meet

Ordering Information

Part Number	Input Volts	Output Volts	Load	Max Power	Regulation	Ripple P/P (PARD)
E-DWP100-050M	12 - 24 Vdc	5 V	0.1-1 A	5 W	± 5%	50 mV

Mechanical Drawing



Notes:

1. Dimensions shown in mm as left.
2. Size: 84 x 38.5x 32mm (+/-1.0mm)
3. DC cable: 4Pin USB.