

Special Features

- Universal Input Voltage range
- High Efficiency and Reliability
- Small size and low profile
- AC inlet: C6, C8, C14
- High power density
- Low lose in empty load
- Low output ripple
- MTBF demonstrated: >50,000 hours



Electrical Specs

Input

- Input voltage 90~264 VAC
- Frequency 47-63 Hz
- Input Current 2.0A @Vin90Vac full load
- Inrush Current 30/60A @Vin110/230Vac, Cold start
- Efficiency 78% min
- Leakage Current <0.25mA @ 50/60 Hz.

Output

- Maximum power 60W max
- Hold Up Time ≥ 10 msec 240Vac input voltage
- Overload protection $\leq 150\%$ @ all input voltage
- Over shoot $\leq 10\%$ of normal voltage value.
- SCP short circuited protection and with auto-recovery function

Environment

Operating temperature : 0° to 40°C

Storage temperature : -20°C to +80°C

Operating Humidity : 20% to 80% RH.

Storage Humidity : 5% to 95% RH

Vibration:

Three orthogonal axes, sweep at 1 oct/min, 5 min. dwell at four

major resonances 0.75G peak 5Hz to 500Hz, operational.

Contact Information

WEBSITE: WWW.PHIPOL.COM

SALES E-MAIL: Sales.phipol@gmail.com
info@hipol.com

Safety

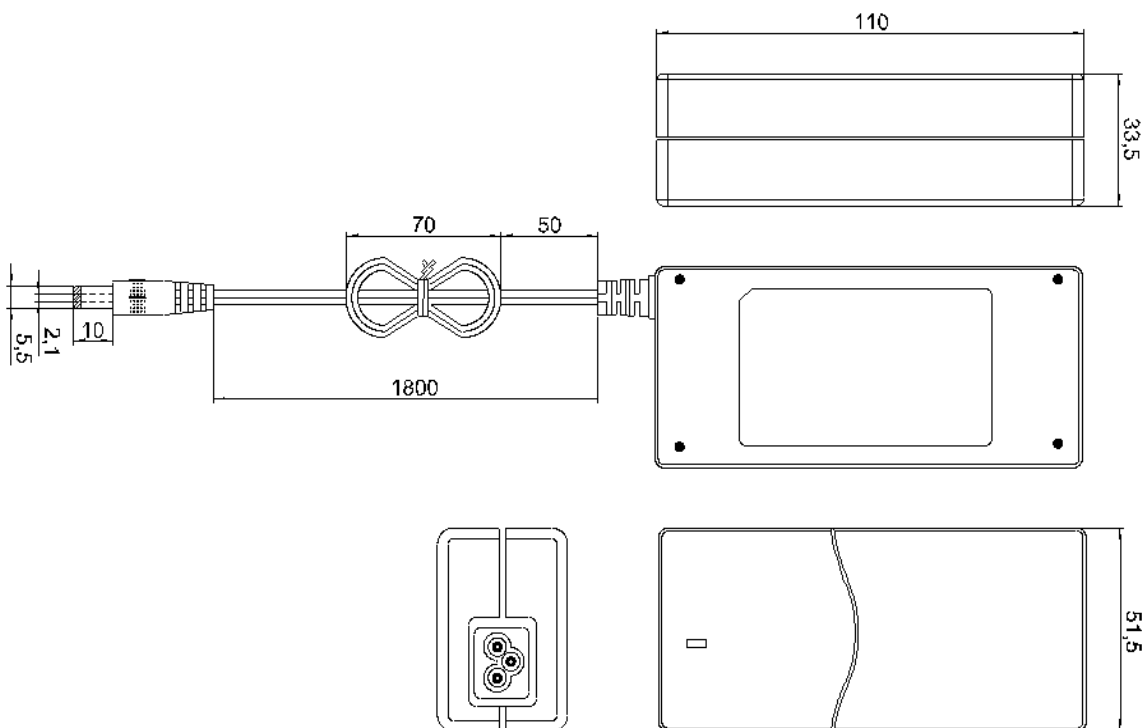
- cTUVRHus (UL60950-1) Same as UL/cUL
- CE/CB (EN60950-1)
- EMC standard: EN55022 and FCC part 15 (class B)



Ordering Information

Part Number	Input Volts	Output Volts	Road	Max Power	Regulation	Ripple P/P (PARD)
GPSM60-XXXXXX-E1	100~240 Vac	3V-24Vdc	0.1-5A	60 W	± 5%	50-250mV
GPSM60-XXXXXX-E2	100~240 Vac	3V-24Vdc	0.1-5A	60 W	± 5%	50-250mV
GPSM60-XXXXXX-E11	100~240 Vac	3V-24Vdc	0.1-5A	60 W	± 5%	50-250mV

Mechanical Drawing



Notes:

1. Dimensions shown in mm as left.
2. Size: 110 x 51.5x 33.5mm (+/-1.0mm)
3. AC inlet and DC cable: Of your choice.



Concentric Barrel Plug

A (OD)	B (ID)	C (L)
6.5	3.0	8~14
5.5	2.5	8~14
5.5	2.1	8~14
5.0	2.5	8~14
5.0	2.1	8~14
3.8	1.35	8~14
3.8	1.05	8~14
3.5	1.35	7~14

