

Special Features

- Universal Input Voltage range
- High Efficiency and Reliability
- Small size and low profile
- AC inlet: plug-in type
(European/UL/CCC/SAA)
- High power density
- Low lose in empty load
- Low output ripple
- MTBF demonstrated: >35,000 hours



Electrical Specs

Input

- Input voltage ○ 90~264 VAC
- Frequency ○ 47-63 Hz
- Input Current ○ 0.3A @Vin90Vac full load
- Inrush Current ○ ≤20A @Vin240Vac, Cold start
- Efficiency ○ 65% min
- Leakage Current ○ <0.5mA @ 50/60 Hz.

Output

- Maximum power ○ 10W max
- Hold Up Time ○ ≥10 msec 240Vac input voltage
- Overload protection ○ ≤ 150% @ all input voltage
- Over shoot ○ ≤10% of normal voltage value.
- SCP ○ short circuited protection and with auto- recovery function

Environment

- Operating temperature : 0° to 40°C
- Storage temperature : -20°C to +80°C
- Operating Humidity : 20% to 80% RH.
- Storage Humidity : 5% to 95% RH
- Vibration:
Three orthogonal axes, sweep at 1 oct/min, 5 min. dwell at four major resonances 0.75G peak 5Hz to 500Hz, operational.

Safety

- UL/CUL (UL60950-1) ● SAA
- CE (EN60950-1)
- CCC
- EMC standard: EN55022 and FCC part 15 (class B)



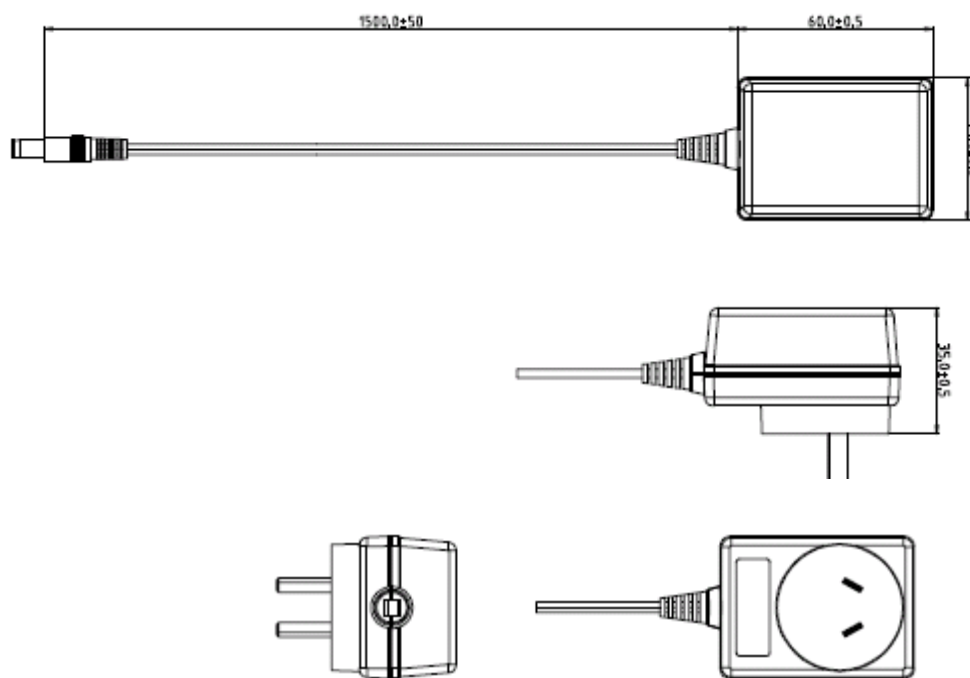
Contact Information

WEBSITE: WWW.PHIPOL.COM
SALES E-MAIL: Sales.phipol@gmail.com
info@hipol.com

Ordering Information

Part Number	Input Volts	Output Volts	Road	Max Power	Regulation	Ripple P/P (PARD)
VA8A-XXXXXX	100~240 Vac	4V-28V	0.1A-1.25A	10 W	± 5%	50-250mV
VA8B-XXXXXX	100~240 Vac	5V-15V	0.2A-1.25A	10 W	± 5%	50-200mV
VA8C-XXXXXX	100~240 Vac	5V-15V	0.2A-1.25A	10 W	± 5%	50-200mV
VA8D-XXXXXX	100~240 Vac	5V-15V	0.2A-1.25A	10 W	± 5%	50-200mV
VA8E-XXXXXX	100~240 Vac	5V-15V	0.2A-1.25A	10 W	± 5%	50-200mV

Mechanical Drawing



Notes:

1. Dimensions shown in mm as left.
2. Size: 60 x 44x 35mm (+/-1.0mm)
3. AC inlet and DC cable: Of your choice.



Concentric Barrel Plug

A (OD)	B (ID)	C (L)
6.5	3.0	8~14
5.5	2.5	8~14
5.5	2.1	8~14
5.0	2.5	8~14
5.0	2.1	8~14
3.8	1.35	8~14
3.8	1.05	8~14
3.5	1.35	7~14

